

# Twister

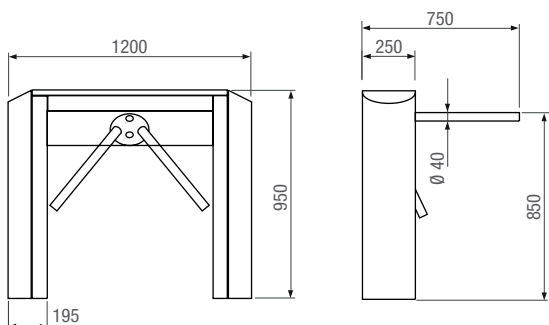
## Electromechanical tripod turnstiles



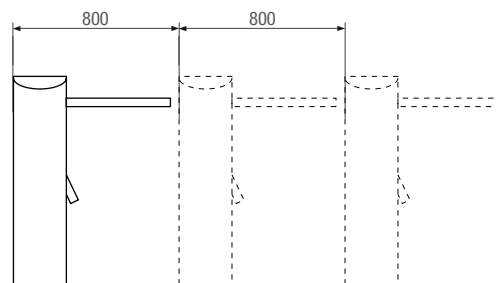
### The ideal solution for selecting pedestrian transit in high flow areas with transponder

- The practical, functional turnstile for controlling high access flows.
- Ideal for installation in railway stations, ports and underground stations, sports centres and stadiums, where it is important to optimise entry and exit operations.
- Can be fully integrated with Came access control systems.

### Dimensions (mm)



### Application (mm)



### Technical information

Type	PST001 - PST002 - PST003 - PST004
Protection rating IP	44
Power supply (V)	230 AC
Operating power supply (V)	24 DC
Current draw (mA)	260
Weight (Kg/lb)	60/132.27
Operating temperature (°C/°F)	-20 ÷ +55 / -4 ÷ +131

● 230 V AC

# The full range



Code	Description
------	-------------

### Electromechanical tripod turnstiles

001PST001	AISI 304 steel two-way electromechanical turnstile with transponder sensors and traffic light with display. Automatic tripod release in the event of a blackout.
001PST002	AISI 304 steel two-way electromechanical turnstile with traffic light and display. Automatic tripod release in the event of a blackout.
001PST003	AISI 304 steel two-way electromechanical turnstile with non-scratch finish with control panel, hydraulic damper, two-way high luminosity LED traffic light and system to prevent climbing over. Automatic tripod release in the event of a blackout.
001PST004	AISI 304 steel two-way electromechanical turnstile with "scotch-brite" finish with control panel, hydraulic damper, two-way high luminosity LED traffic light and arm fall system. Automatic tripod release in the event of a blackout.

### Accessories for: 001PST001 - 001PST002 - 001PST003

001PSOPSC01	Anti-panic arm with articulated pressure joint.
-------------	---

### Accessories

001PSOPG01	AISI 304 steel channeller complete with post with arc, galvanised iron fixing flange and chrome-plated plastic flange cover. H = 1,000 mm / H = 39.37 in .
001PSOPG01X	AISI 304 steel channeller complete with post with arc, fixing flange and flange cover. H = 1,000 mm / H = 39.37 in .

